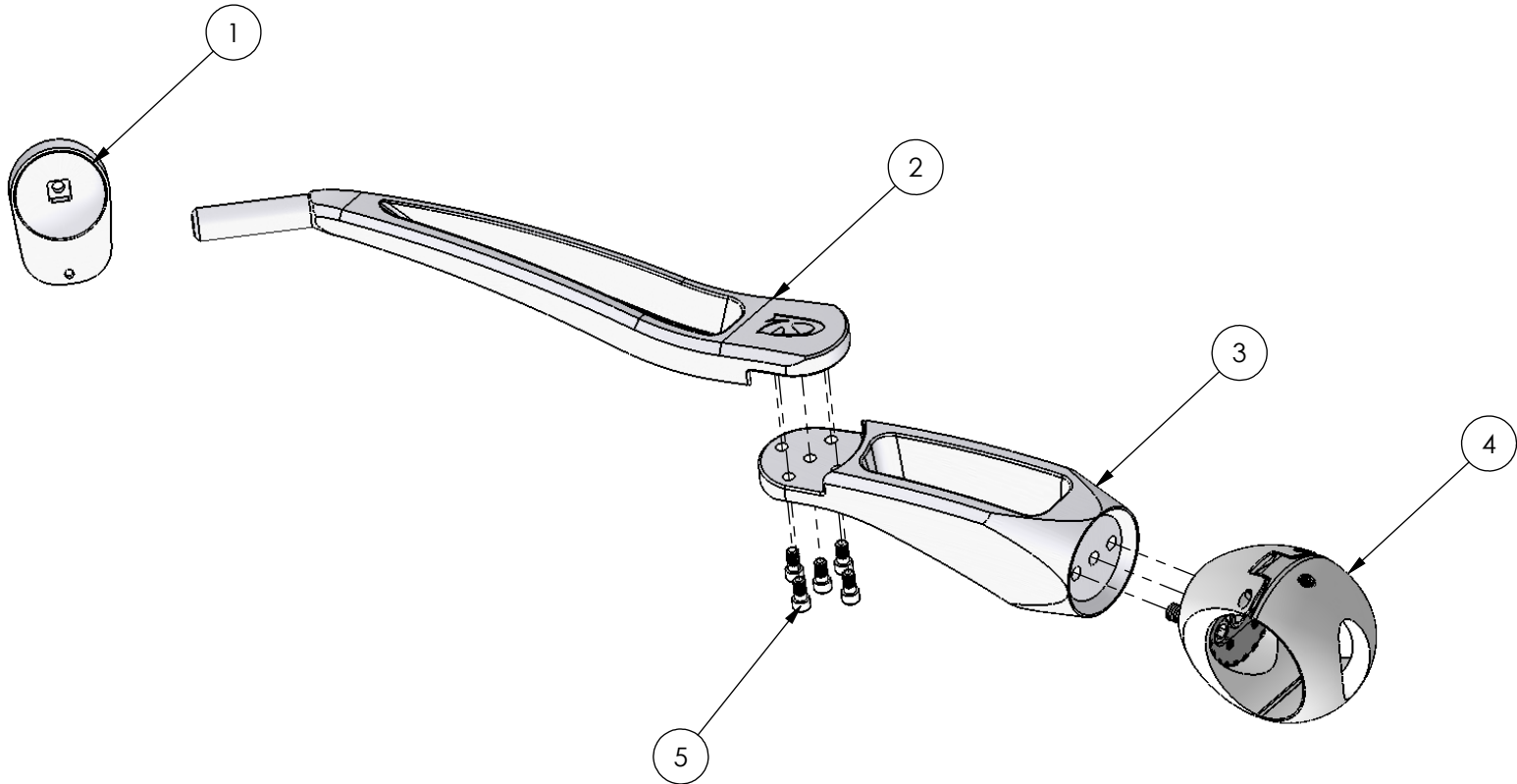


ITEM NO.	PART NUMBER	PROCESS	MATERIAL	FINISH	QTY.
1	RWA-290606-G1-REV-G0-(3 Way Swivel Assembly)	See Sub Assembly BOM	See Sub Assembly BOM	See Sub Assembly BOM	1
2	RWA-310707-P5-PO-(Universal Mirror Arm front half)	Die Cast/Machined	6061 Alloy	Polished	1
3	RWA-310707-P4-PO-(Universal Mirror Arm rear half)	die cast / machined	6061 Alloy	Polished	1
4	RWA-261006-E1-REV-E4-(SI UNIVERSAL CLAMP ASSEMBLY)	SEE SUB ASSEMBLY BOM	SEE SUB ASSEMBLY BOM	SEE SUB ASSEMBLY BOM	1
5	SCH_~250-20 UNC_0~5_SIMP	Stock Item	Stainless Steel	Raw	5



REVISION NOTES:

UNLESS OTHERWISE SPECIFIED:

DIMENSIONS ARE IN INCHES

TOLERANCES:

DECIMAL: x. ± 0.06
 x.x ± 0.03
 x.xx ± 0.015
 x.xxx ± 0.005
 FRACTIONAL: xx x/x ± 1/16"
 x x/x ± 1/32"
 x/x ± 1/64"
 ANGULAR: ±0.5°



RWA-310707-P6-REV-P0-(Universal Mirror Arm Assembly BOM)

BRAND-DATE-DESIGNER-REVISION-(Description)

SCALE: 1:1 REVISION DATE: Monday, December 10, 2007

PROPRIETARY AND CONFIDENTIAL
 THE INFORMATION CONTAINED IN THIS DRAWING IS THE SOLE PROPERTY OF ROSWELL WAKE AIR. ANY REPRODUCTION IN PART OR AS A WHOLE WITHOUT THE WRITTEN PERMISSION OF ROSWELL WAKE AIR IS PROHIBITED.

DRAWN BY: egagnon MATERIAL: SEE BOM TABLE
 PROCESS: SEE BOM TABLE FINISH: SEE BOM TABLE

DO NOT SCALE DRAWING

5

4

3

2

1