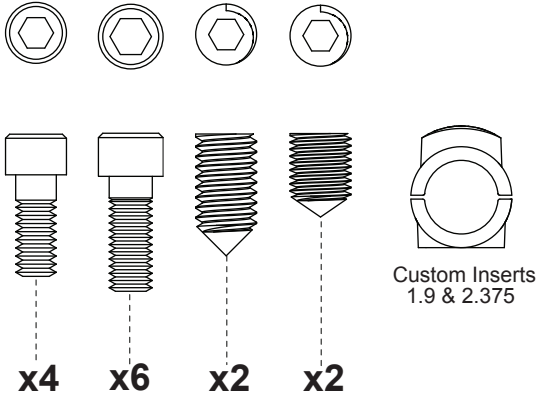
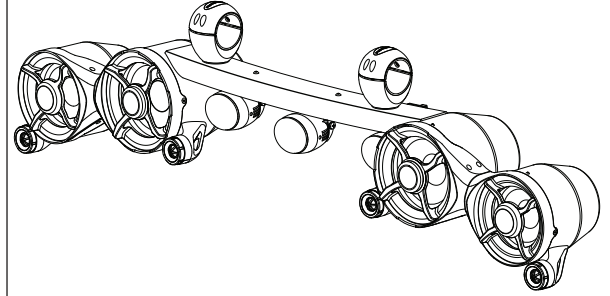


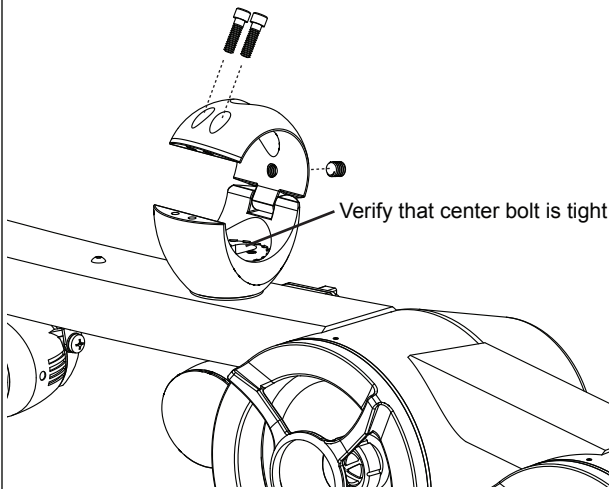
### Speaker Hardware



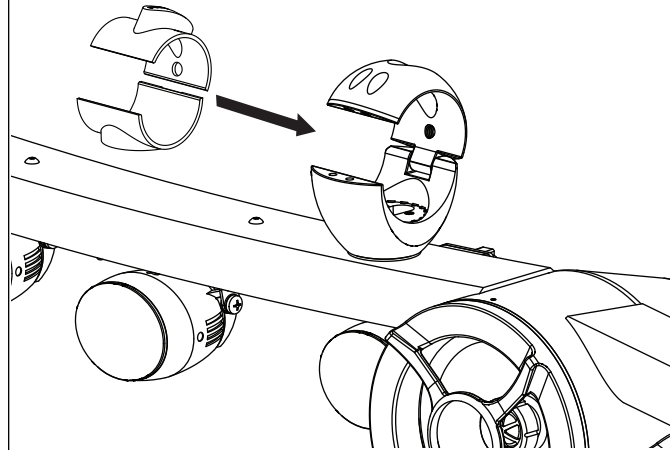
### Tools Required



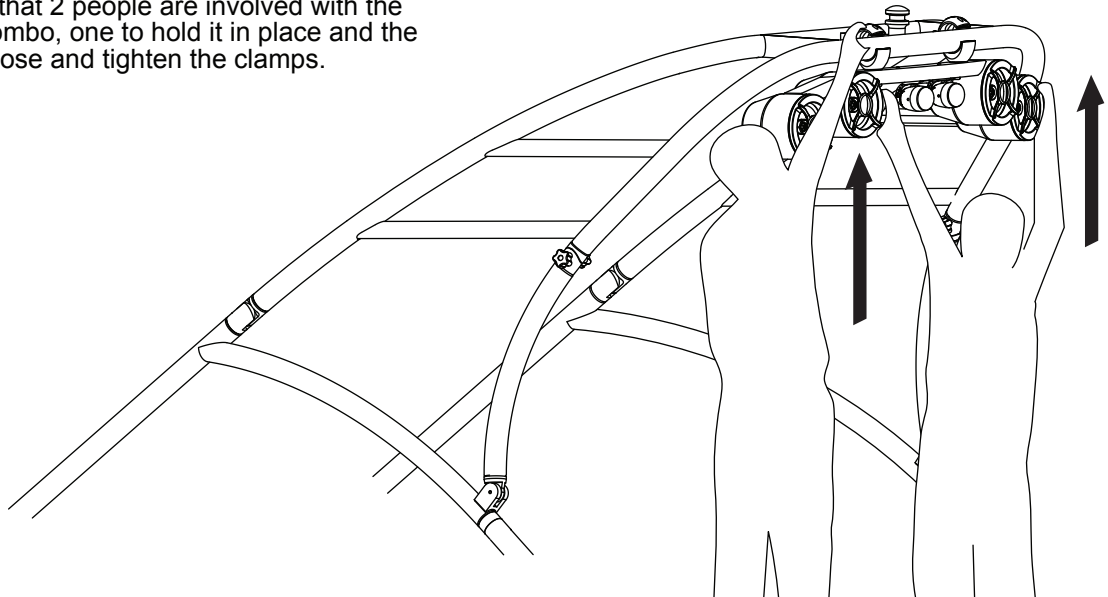
**A** Remove bolts and set screw from both clamps. Verify that center bolt is tight.



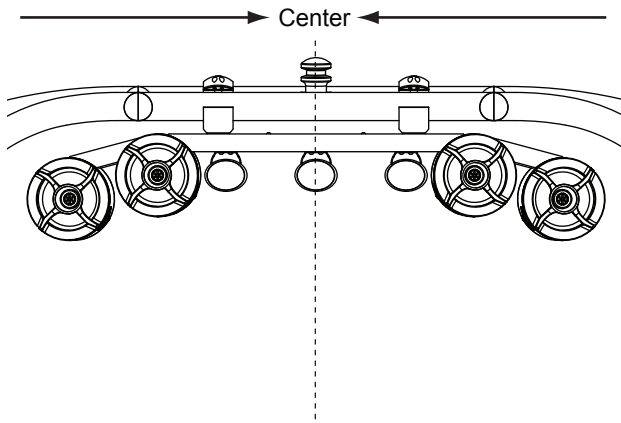
**B** Install the two plastic custom inserts on both clamps. Choose the size that properly fits the diameter of your tower.



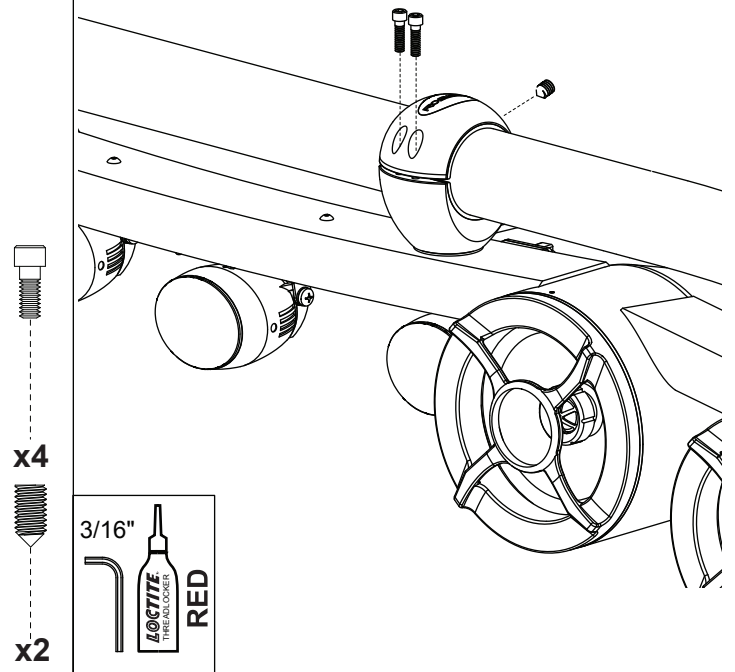
**C** We recommend that 2 people are involved with the install of the combo, one to hold it in place and the other to help close and tighten the clamps.



**D** Center the speaker combo with the center of the tower using the towhead as a reference point



**E** Apply Loctite to clamp bolts (4) and fasten clamp to tower. Insert the set screw (2) to lock combo in place.



Port Side Harness

- Red - Port Speakers (+)
- Black - Port Speakers (-)
- Yellow - Starboard Speakers (+)
- Blue - Starboard Speakers (-)

Starboard Side Harness

- Red - Directional Light (+)
- Black - Directional Light (-)
- Yellow - LED Light (+)
- Blue - LED Light (-)

**G** Connect Wiring

